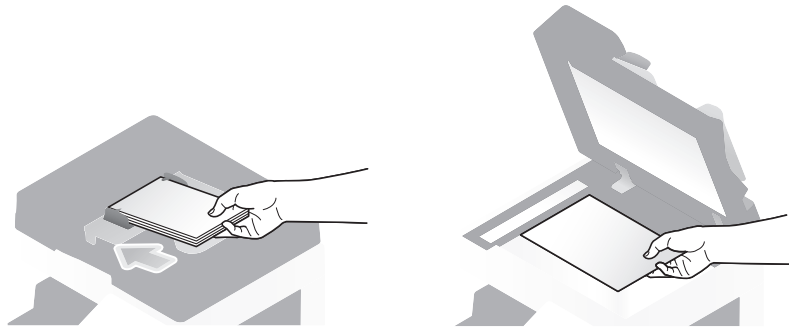
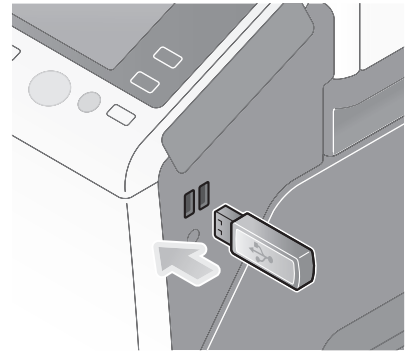


Saving data in the USB memory device

- 1 Load the original.



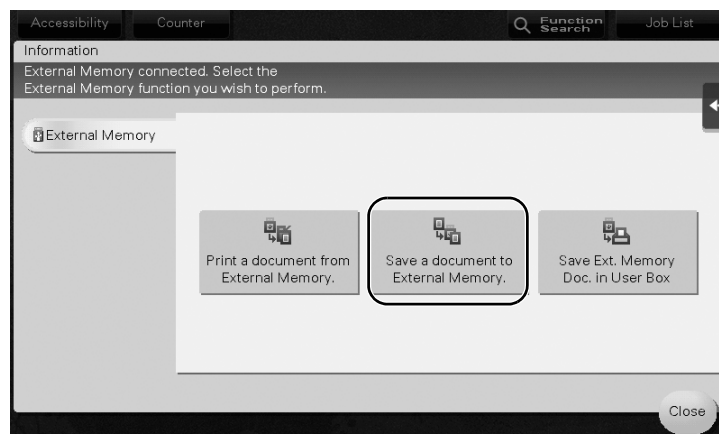
- 2 Connect a USB memory device to this machine.



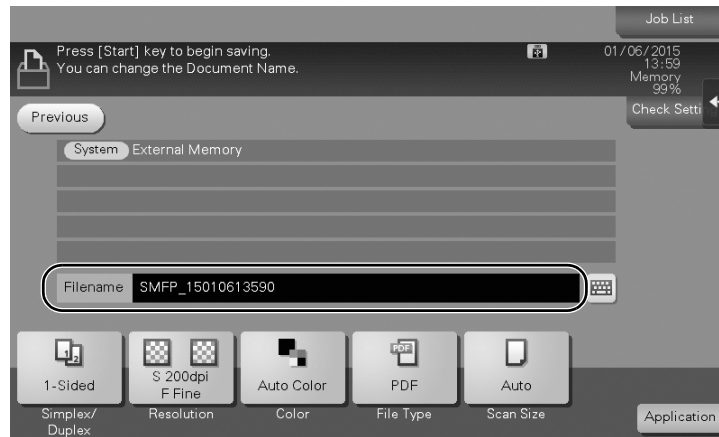
NOTICE

Do not use a USB device other than a flash-memory device.

- 3 Tap [Save a document to External Memory.].

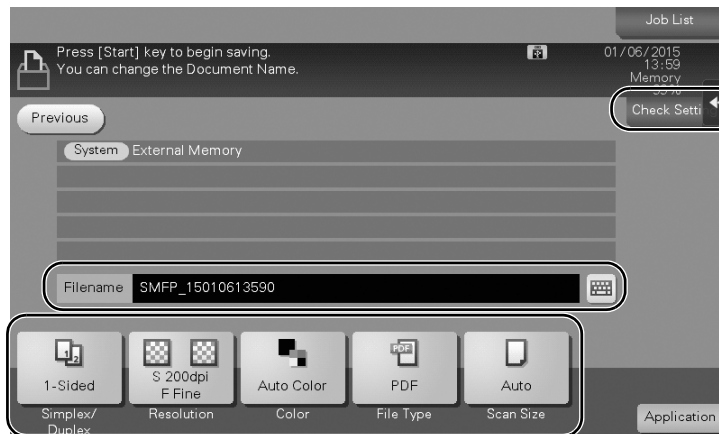


4 Check the file name.



5 If necessary, check the setting to save data.

- Tap [Check Setting] to check the setting.
- To change a file name, tap the file name or keyboard icon.



- You can also check the setting using the keys displayed on the **Touch Panel**.
- To change the setting, tap the desired key on the **Touch Panel**.

Settings	Description
[Simplex/Duplex]	Select whether to scan one or both sides of the original.
[Resolution]	Specify the scanning resolution.
[Color]	Select whether to scan the original in color or black and white mode.
[File Type]	Select the type of the file to save scanned data.
[Scan Size]	Specify the size of the original to be scanned.

- 6 Press the **Start** key.

NOTICE

Do not disconnect the USB memory device during data saving.

